

**DE**

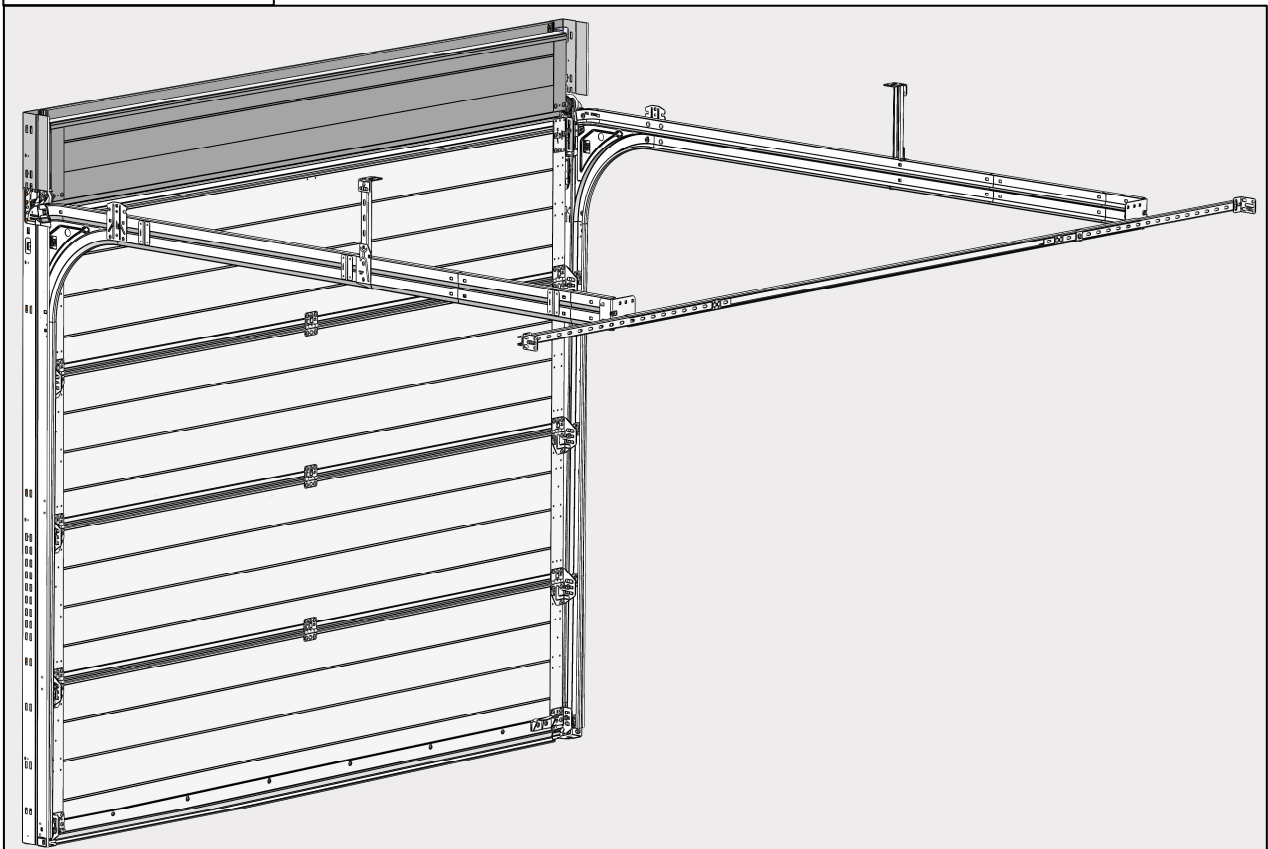
Montageanleitung *Fix-in-Line Blende*

**EN**

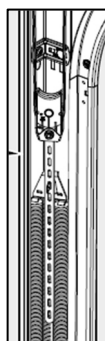
Installation instructions *Fix-in-Line Blende*

Article Code: **FL045999-5; FLL45999-5**

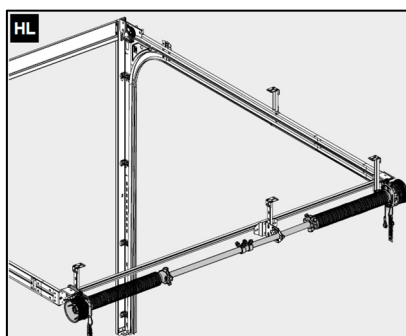
**iso45-5**



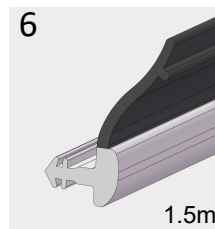
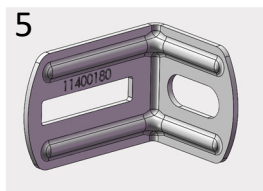
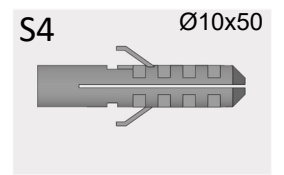
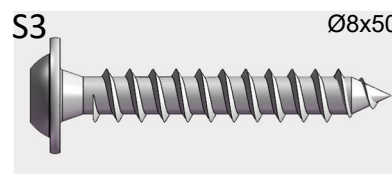
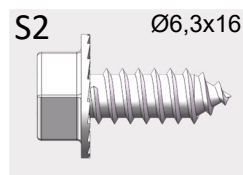
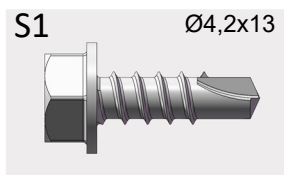
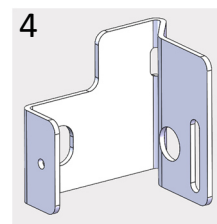
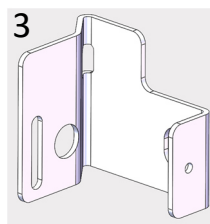
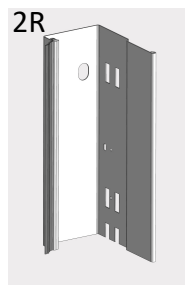
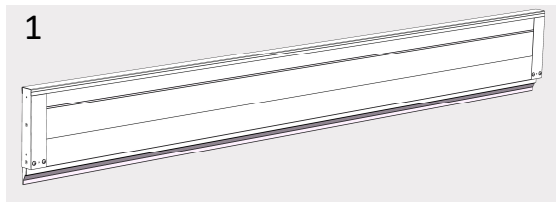
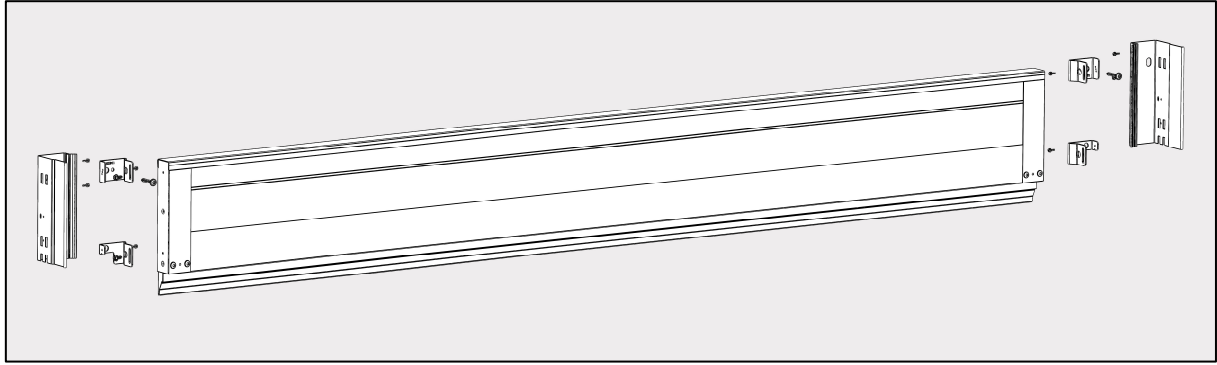
**ZF**



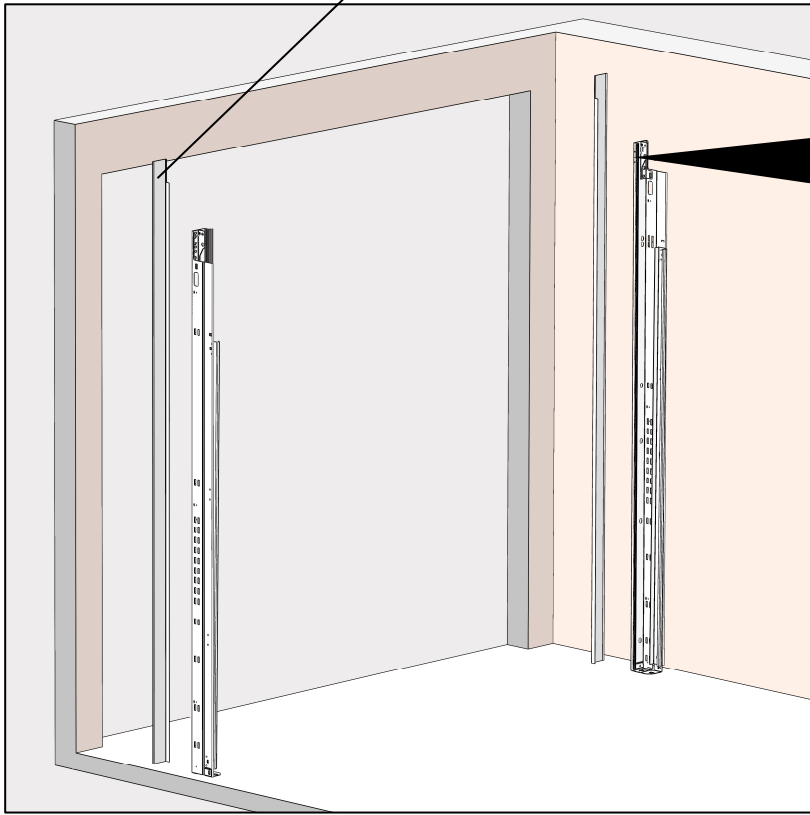
**TW - HL**



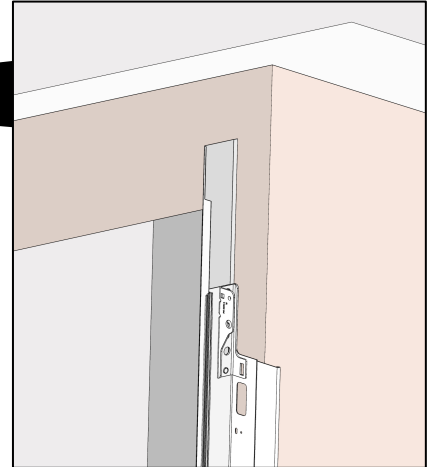
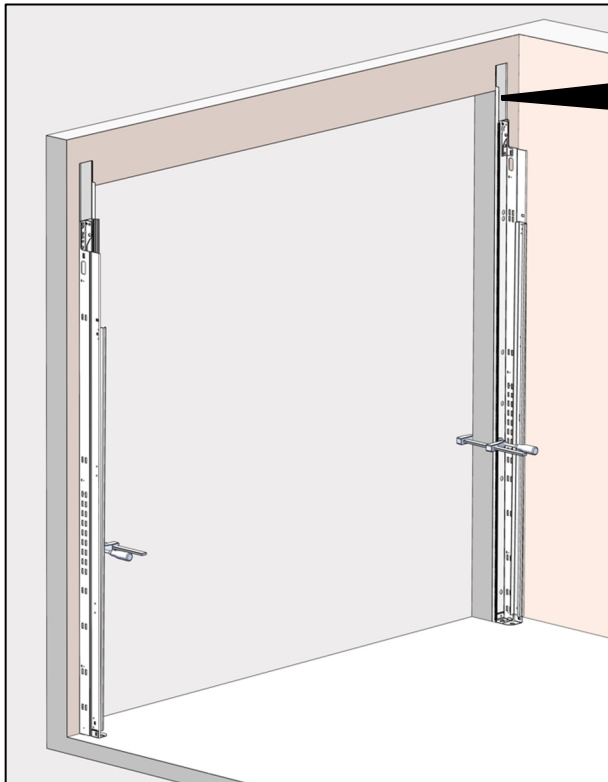
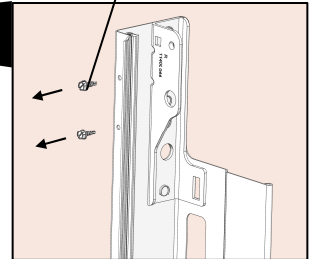
XXXXXXX

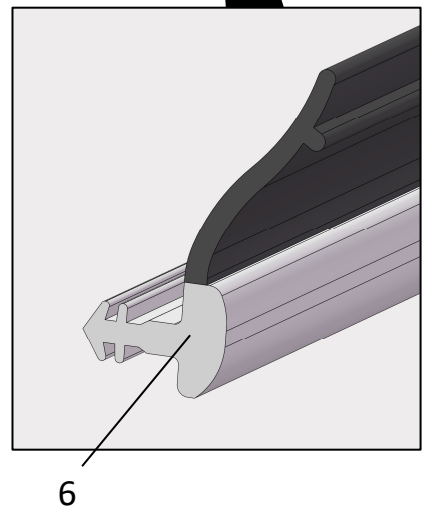
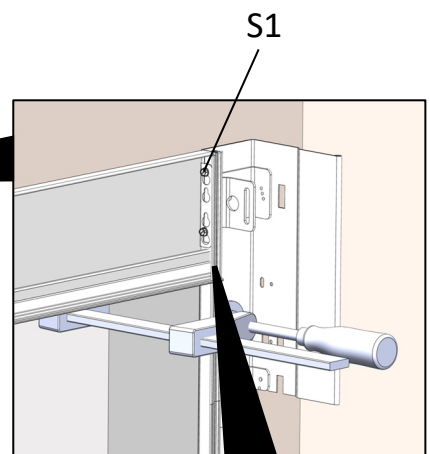
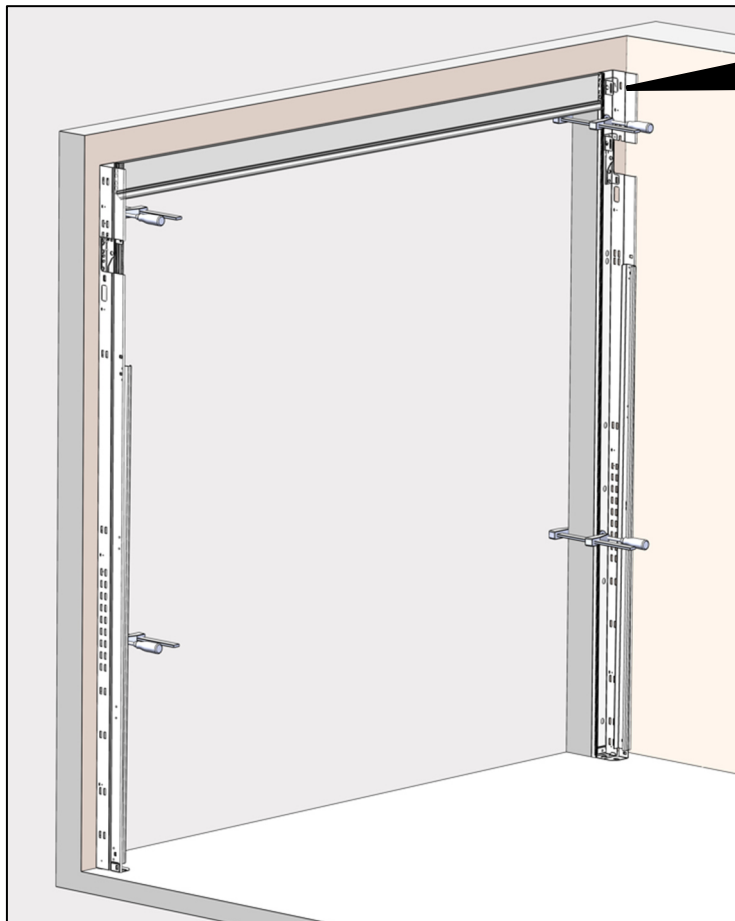
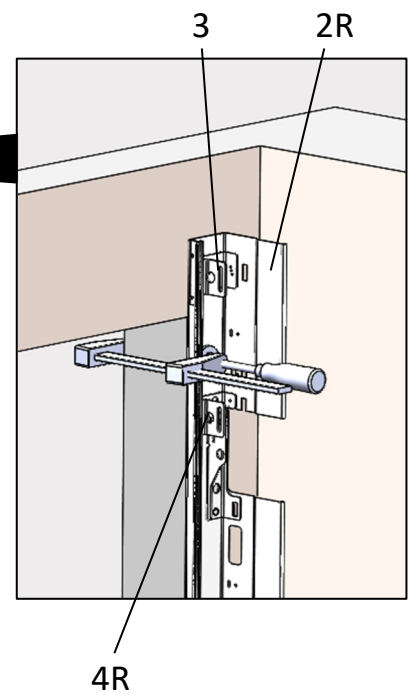
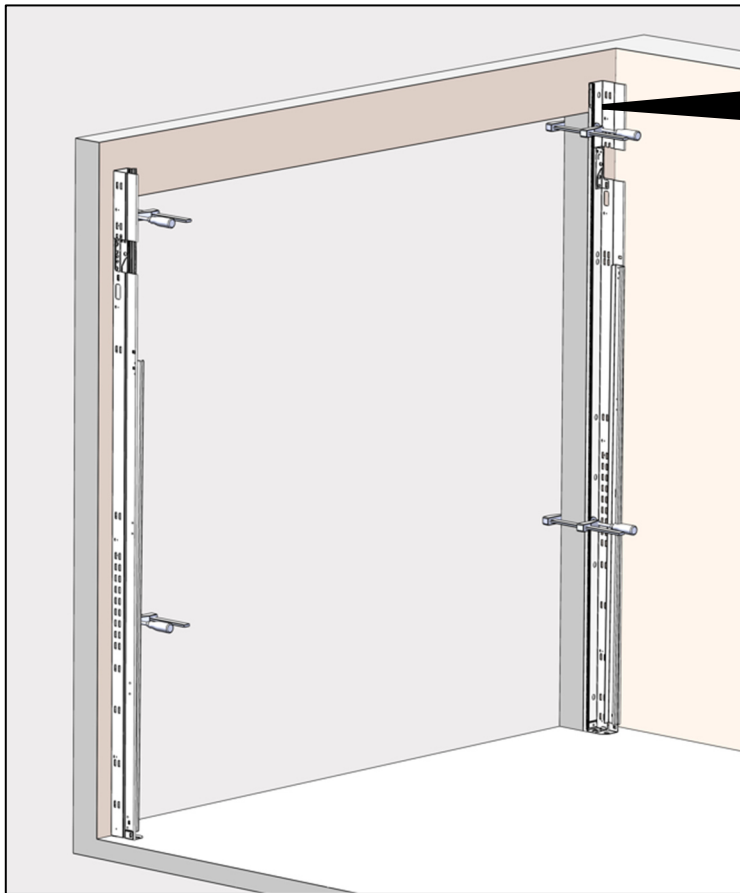


WZV0099

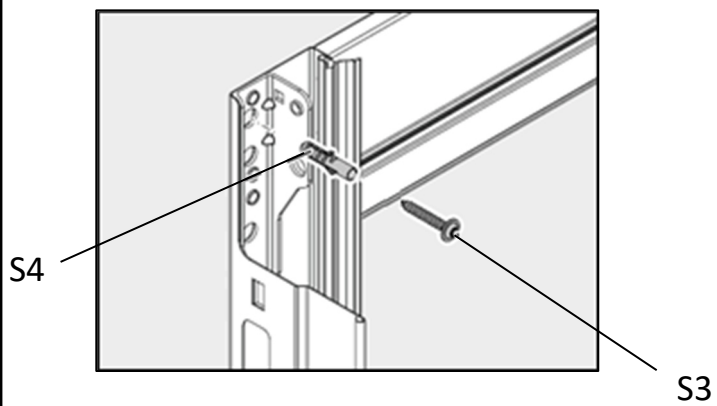
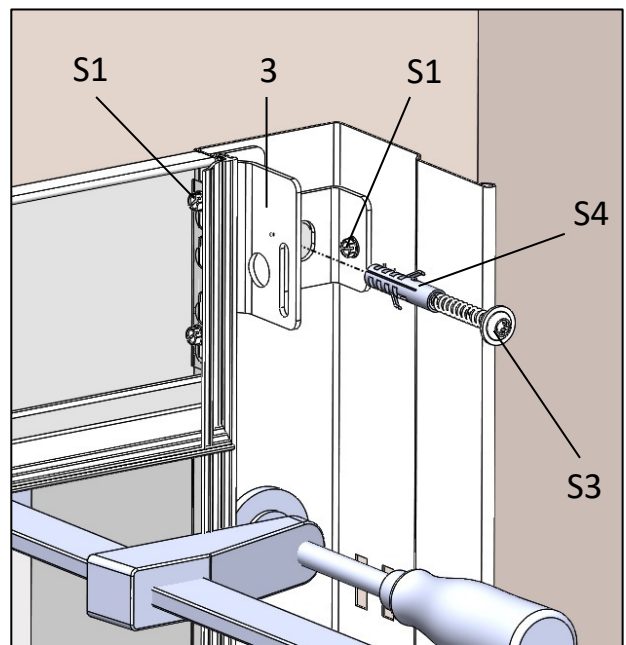
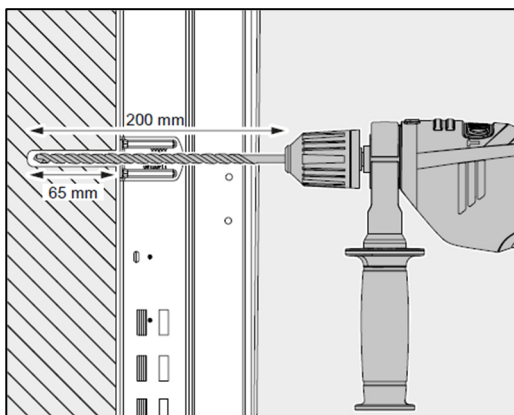
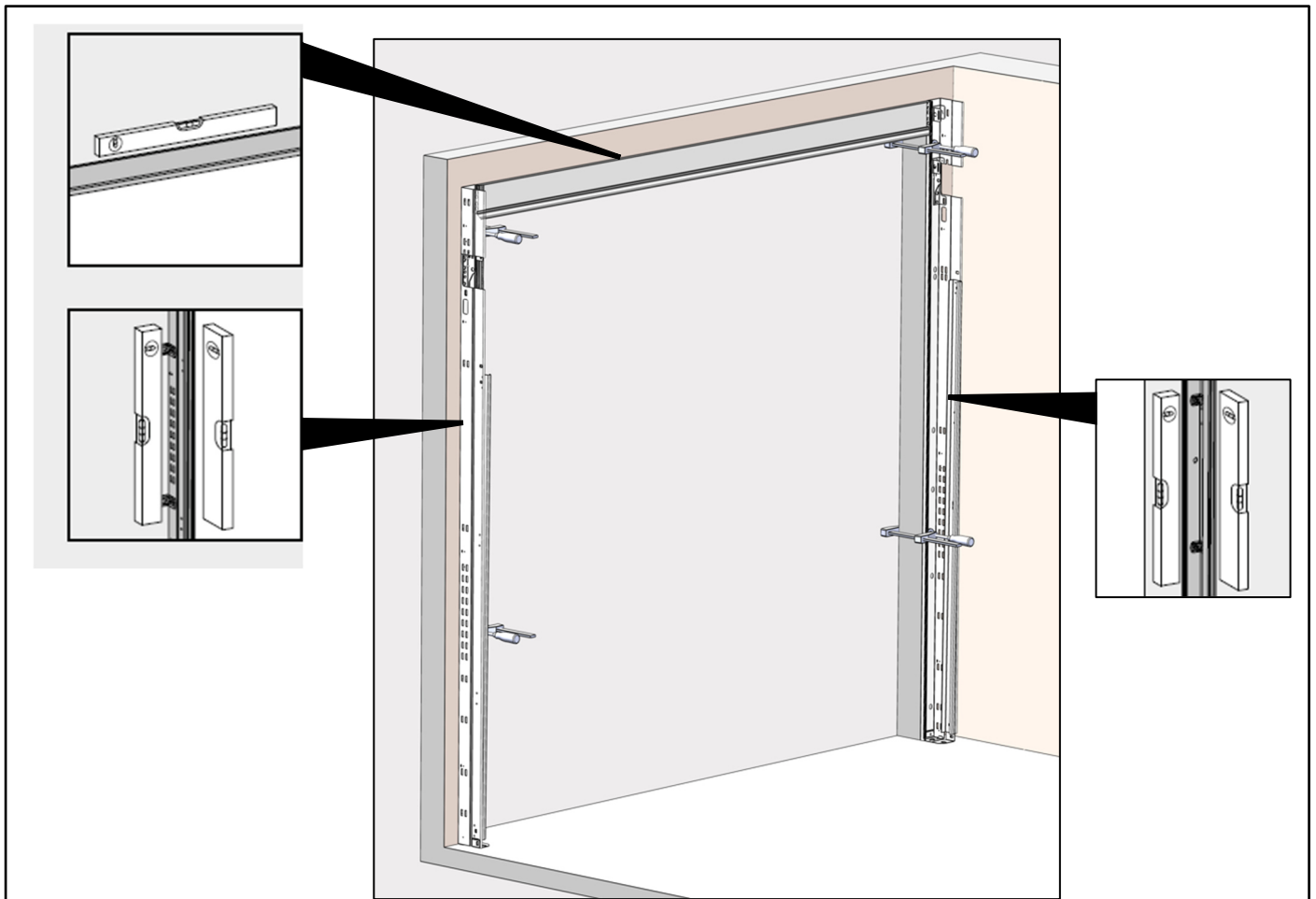


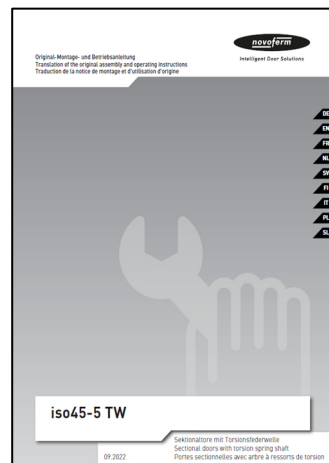
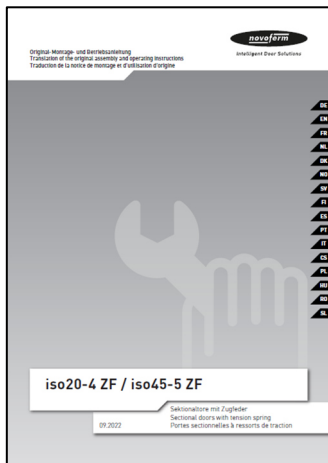
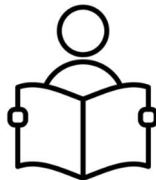
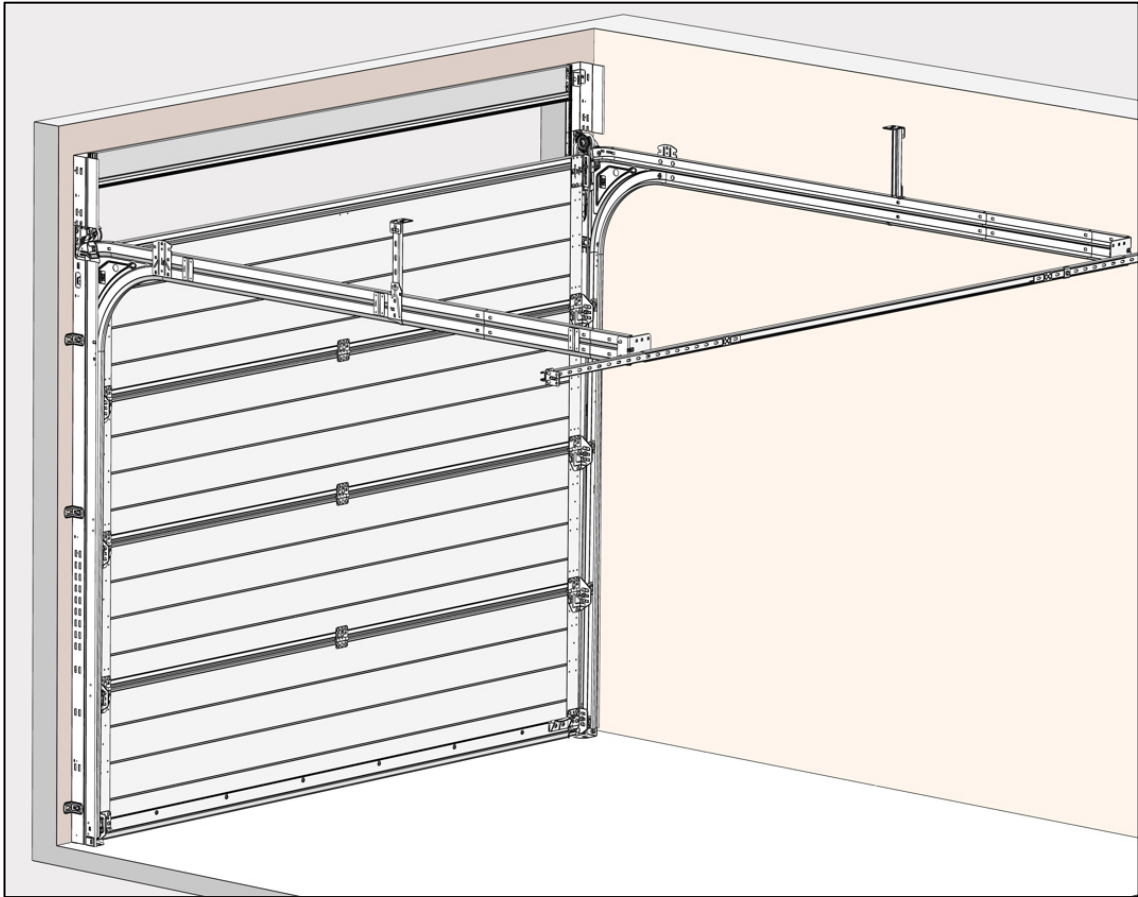
S1

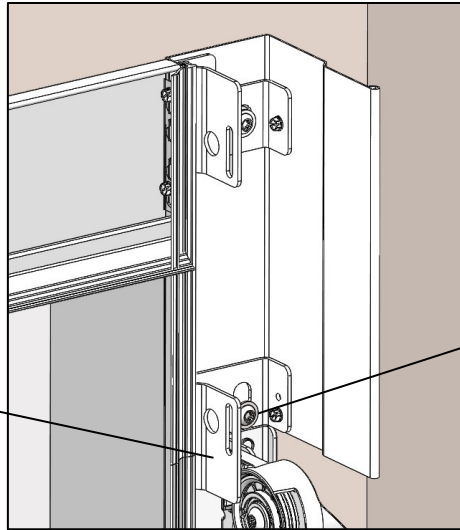






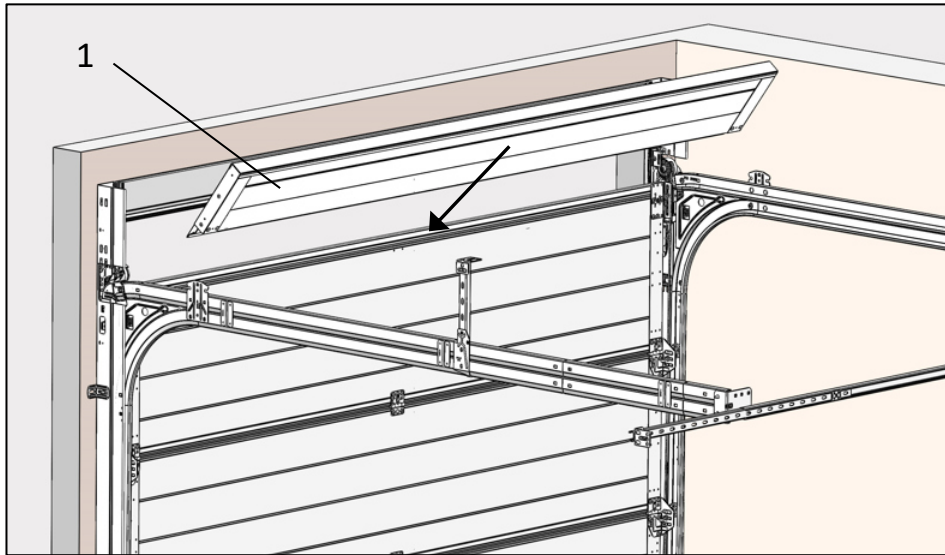






4

S3



1

